

## Air Suspension System for Semi-trailer



### Model:ASL220~ASL390 Series

Guide arm,two-leaf spring ,no clearance design;  
Two-air bag compounded single swing arm mechanism,loaded together by air bag and leaf spring ,shock absorber installed inclined to reduce rubs and to prolong the lifespan;Vertical design of the flexible elements,match al kinds of traller axles;  
suitable for single axle,double axle and multi-axle trailer.(The first and the third axle for tri-axle trailer can realize the performance of lift)

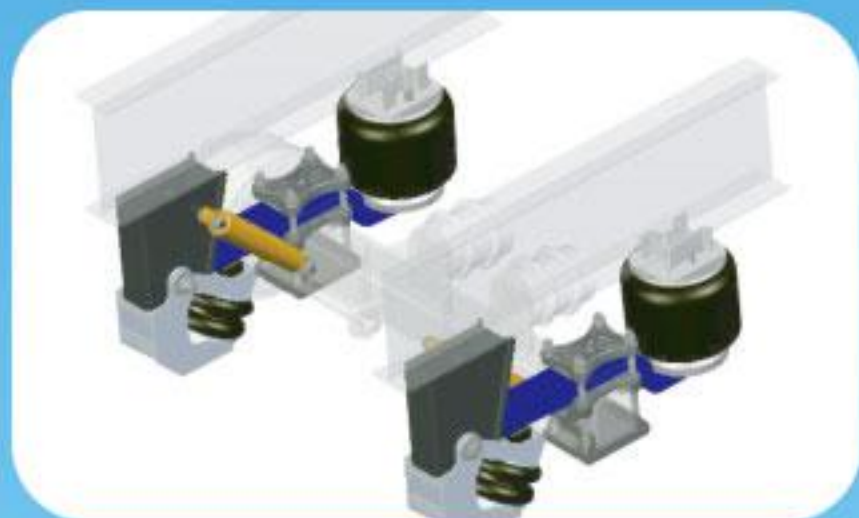
High load capacity,high rigidity,low frequency,stronger anti-roll capacity,better ride comfort,super better quality and price.



### Model:ASL350~ASL550 Series

Z type guide arm structure design.two air bag compounded single swing arm mechanism;loaded together by air bag and leaf spring;shock absorber installed inclined to reduce rubs and to prolong the lifespan;Vertical design of the flexible elements,match all kinds of traller axles;suitable for single axle,double axle and multi-axle trailer.(The first and the third axle for tri-axle trailer can realize the performance of lift)

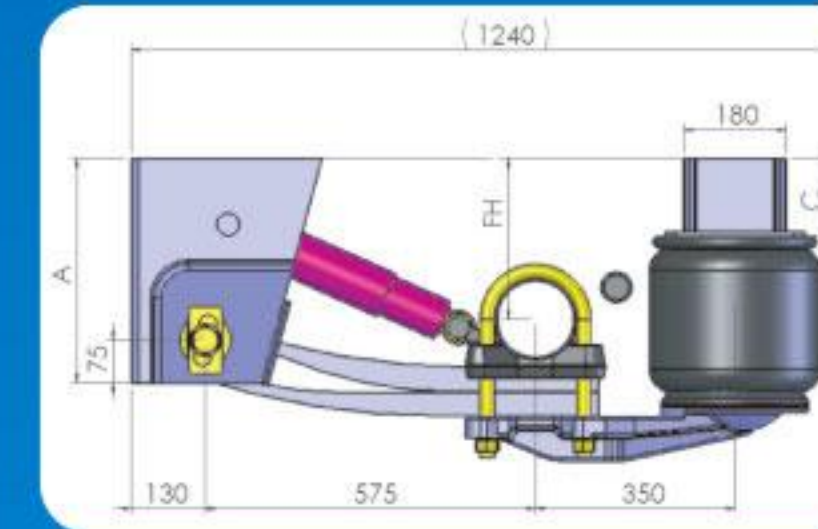
Lightweight,heavy-loaded,high rigidity,low frequency,stronger anti-roll,better ride comfort,super better quality and price.



## Air Suspension System for Semi-trailer

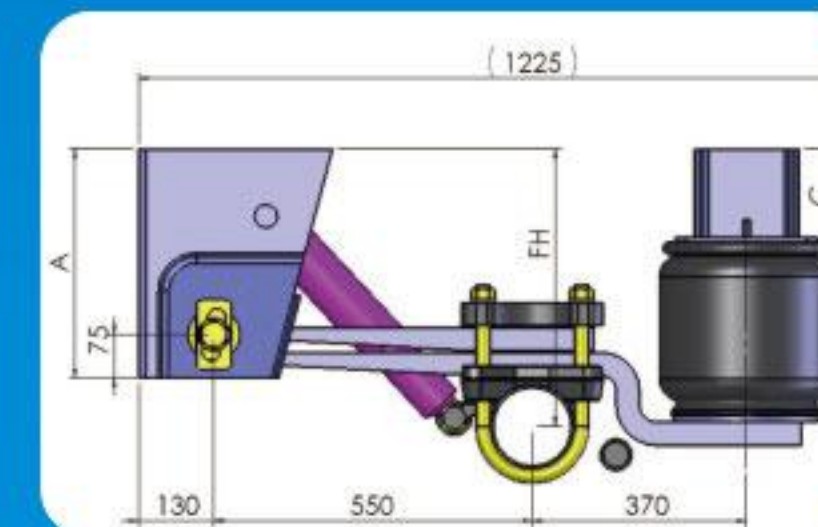
### Main Technical Parameters

#### ASL220~ASL390 series Main Technical Parameter

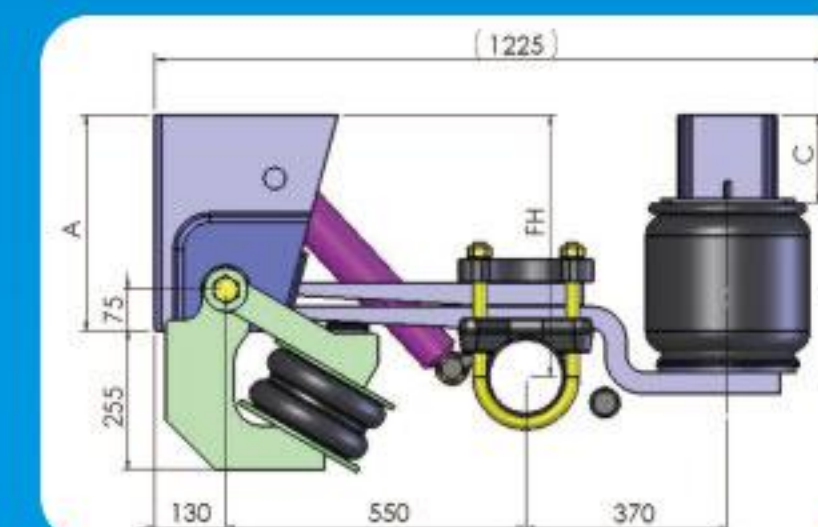


FH(mm)	Max Load of Single Axle	Air Bag Type	Dynamic Stroke of Air Chamber	Recommend Axle Distance	Axle specs
220~390	13T	φ350mm	180mm	1250~1350 mm	Round φ127mm Square 150x150

#### ASL350~ASL550 series Main Technical Parameter



FH(mm)	Max Load of Single Axle	Air Bag Type	Dynamic Stroke of Air Chamber	Recommend Axle Distance	Axle specs
350~550	13T	φ350mm	180mm	1250~1350 mm	Round φ127mm Square 150x150



FH(mm)	Max Load of Single Axle	Air Bag Type	Dynamic Stroke of Air Chamber	Recommend Axle Distance	Axle specs	The height by lift function
350~550	13T	φ350mm	180mm	1250~1350 mm	Round φ127mm Square 150x150	100mm