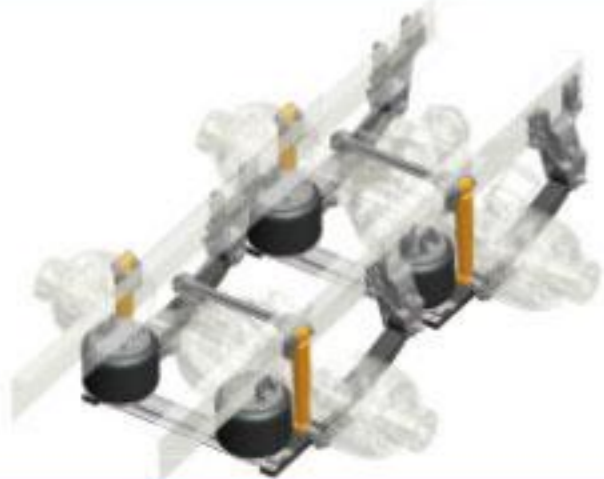


## Air Suspension system for Heavy Truck series



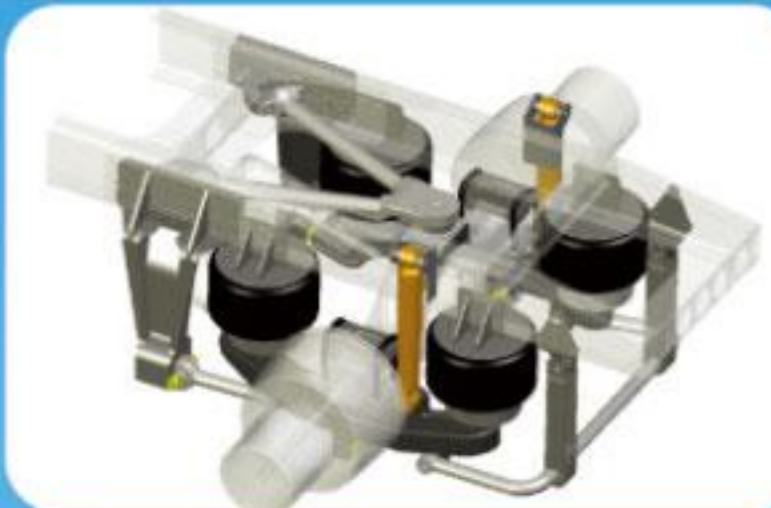
### ● Model: ARL230~ARL260 series

Light weight structure, quarter of ellipse change section spring, two air bags, combined air suspension: suit for 6\*4 type double drive axle, 4\*2 type drive axle, and can match HWO axle, 485 axle, 457 axle, Mann axle.



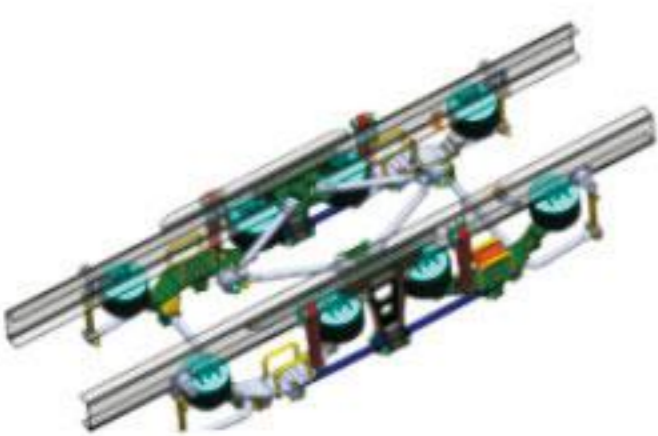
### ● Model: AFH065 series

Unsymmetrical half elliptic taper leaf spring; two air bags; single tyre; combined type air suspension and axle.



### ● Model: ABU115~ABU130 series

Four-bar guiding mechanism; four air bags; all air suspension system; suitable for 4\*2 type single-drive axle; can be matched to Steyr axle; HWO axle, 485 axle and 457 axle.



### ● Model: ABU230~ABU260 series

Four-bar guiding mechanism; eight air bags; all air suspension system; suitable for 6\*4 type single-drive axle; can be matched to Steyr axle; HWO axle, 485 axle and 457 axle.

## Air Suspension system for Heavy Truck series

### Main Technical Parameters

Model:	ARL230~ARL260 series	AFH065 series	ABU115~ABU130 series	ABU230~ABU260 series
Width of suspension:	760~850	850	760~850	760~850
Model of rear axle:	豪沃桥、485桥、457桥	科曼专用	斯太尔后桥、豪沃桥、485桥、457桥	斯太尔后桥、豪沃桥、485桥、457桥
Plate base distance:	1010	850	960	960
Wheel tread:	1860	2025	1850	1850
Distance between wheel center and down plane of frame:	200~270	270	220~260	220~260
Installation length of air bag:	320~360	290	250~290	250~290
Installation length of shock absorber:	550	570	560	560
Design axle load:	20000~30000	5000~7000	10000~15000	20000~30000
Axle travel:	160	225	210	210
Specs of tire:	12.00R20	12.00R20	12.00R20	12.00R20
Specs of air bag:	3011K2461205 (科曼专用)	769N	715N/762N	715N/762N