

Air Suspension System for 7-10m Light Bus Series



Front Air Suspension System



● Model:AFL030~AFL045 Series

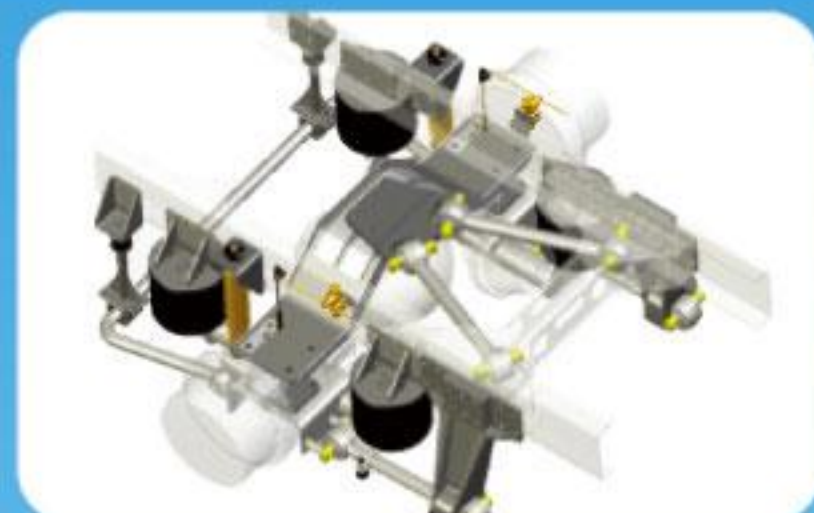
Large span two bags, rigid axle front air suspension system; can match front axle such as Gongan, Huqiao, Dongfeng, Xiang, Dongfeng Hangzhou Motor etc;



● Model:AFW030~AFW045 Series

Four link type guide mechanism(V-type arm), large span air bags, total air suspension system, can match front axle such as Gongan, Huqiao, Dongfeng, Xiang, Dongfeng Hangzhou Motor etc.

Front Air Suspension System



● Model:ABW050~ABW090 Series

Four air bags, Little-H type arm, four link type rigid rear drive axle air suspension system, can match wetch weld or casting rear axle such as Gongan Hunan Motor&Axle, Dongfeng, Xiang, Dongfeng Hangzhou Motor etc



● Model:ARL050~ARL090 A Series

Two air bags, pendulum arm guide mechanism, compound type air suspension system, can match weld or casting rear axle such as Gongan, Huqiao, Dongfeng, Xiang, Dongfeng Hangzhou motor etc.

Air Suspension System for 7-10m Light Bus Series

Main Technical Parameters

Main Technical Parameters of Front Air Suspension System

Model	AFL030~AFL045/AFW030~AFW045 Series front air suspension system
Rating Axis Load	3000~4500kg
The width of the classis frame	820、840、861mm
Designed axis load	3000~5000kg
Wheel thread	1835~2020mm
The fixing height of the air bags	255~265mm
The kinetic travel of the axle	180mm (upwards : 90mm. downwards : 90mm)
The span of the air bags	1160~1300mm
The deflection frequency of the system	1.15~1.3Hz

Main Technical Parameters of Front Air Suspension System

Model	ABW050~ABW090/ ARL050~ARL090Series reas air suspension system
Rating Axis Load	5000~9000kg
The width of the classis frame	820、840、861mm
Designed axis load	5000~10000kg
Wheel thread	1670~1800mm
The fixing height of the air bags	255~265mm
The kinetic travel of the axle	180mm (upwards : 90mm. downwards : 90mm)
The span of the air bags	880~930mm
The deflection frequency of the system	1.15~1.3Hz