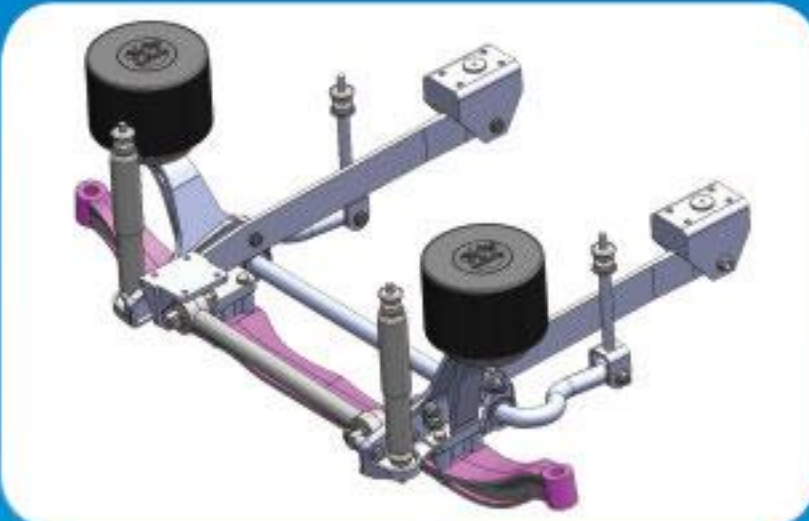


Air Suspension System for 10-12m Medium Bus Series



Front Air Suspension System



● Model:AFF050~AFF065 Series

Four link type guide mechanism, large span air bag, rigid total air suspension system, can match with the front axles, such as Baotou Axles, Steyr Axles, Dongfeng Axles, Xiang Axles, Dongfeng Hangzhou Motor Axles, Fangsheng Axles etc.



● Model:AFL050~AFL065 Series

Pendulum arm guide mechanism, large span air bag, total air suspension system, can match with the front axles, such as Baotou Axles, Steyr Axles, Dongfeng Axles, Xiang Axles, Dongfeng Hangzhou Motor Axles, Fangsheng Axles etc.

Rear Air Suspension System



● Model:ACU100~ACU130 Series

Five link type guide mechanism, four large span air bags, four shock absorbers, total air suspension system, suitable to match rear axles such as Baotou Axle, Steyr Axle, Dongfeng Axle, Xiang Axle, Dongfeng Hangzhou Motor Axle, Fangsheng Axle etc.



● Model:ACW100~ACW130 Series

Complete air suspension system with four link type guide mechanism, four air bags with super-large span, and four shock absorbers, suitable for matching many kinds of axles, such as Meichi Axle, Xiang Axle, and Liusheng Axle.

Air Suspension System for 10-12m Medium Bus Series

Main Technical Parameters

Main Technical Parameters of Front Air Suspension System

Model	AFF050~AFF065/AFL050~AFL065 Series front air suspension system
Style	Large span two air bags, four link type rigid front air suspension system, two-way effect hydraulic pressure tube-shaped absorber, crosswise stabilization beam, altitude adjust valve.
Rating axis load	5000~6500kg
The width of the chassis frame	861、940mm
Designed axis load	5000~7000kg
Wheel thread	19820~2020mm
The fixing height of the air bags	255~265mm
The kinetic travel of the axle	180mm (upwards: 90mm, downwards: 90mm)
The span of air bags	1200~1300 mm
The deflection frequency of the system	1.15~1.3Hz

Main Technical Parameters of Rear Air Suspension System

Model	ACU100~ACU130/ACW100~ACW130 Series rear air suspension system
Style	Air suspension system with four air bags; welding C-type beam; connecting rod institution; dependent rear drawing axle. Assembled with bilateral shock absorbers; lateral stabilizer rod and height valve.
Rating axis load	10000~13000kg
The width of the chassis frame	861、940mm
Designed axis load	10000~14000kg
Wheel thread	1800~1860mm
The fixing height of the air bags	255~265mm / 242mm
The kinetic travel of the axle	180mm (upwards: 90mm, downwards: 90mm) 197mm (upwards: 92mm, downwards: 105mm)
The span of air bags	1500mm
The deflection frequency of the system	1.15~1.3Hz